

AQUASTAR MP ----external PLC controllable -MULTIPLE POSITION

AUTOMATIC Backwash Actuator with valve



Remote PLC or Smart Relay (not supplied) required for switching signals to drive actuated valves into the following positions:

- A: FILTER
- B: BACKWASH
- C: RINSE
- D: DRAIN
- E: RECIRCULATE
- F: CLOSED



ASS-MP2

applications in over 20 years

Actuator Features:

- 24VAC (50-60Hz) train gear drive—25 years proven track record
- Standard manual override option—allows actuator removal from valve within 1 minute and install supplied manual valve handle
- Actuator position indexing with circuit board mounted limit switches and mechanical position locking
- Integrated pump control switch controls pump operation according to actuator-valve position
- Nema 4 enclosure
- Integrated visual position indication
- Proven and field tested in thousands of

Valve features:

- Reliable non corrosive ABS-EPDM –Noryl construction—NSF approved
- Side mounted (1.5"-3" and Top mounted(1.5 & 2") versions up to 3" pipe size
- Max flow rates up to 340 USGPM
- Max operating pressure up to 50 psi on ABS valve construction
- Max operating pressure on custom models up to 75 psi

For more detailed technical information see AUQASTAR C6 technical sales brochure.

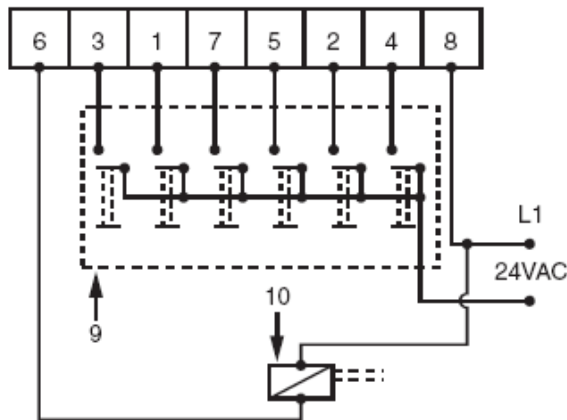
Page two---dimensions –wiring diagram—flow rates—APPLICATIONS

AQUASTAR MP ---external PLC controllable -MULTIPLE POSITION

AUTOMATIC Backwash Actuator with valve

Travel time from position to position including positioning of valve

	Travel time in seconds at 60 Hz
FILTER-BACKWASH	39 seconds
BACKWASH-RINSE	22 seconds
RINSE-FILTER	22 seconds
FILTER-DRAIN	22 seconds
FILTER-RECIRCULATION	46 seconds
FILTER-CLOSED	32 seconds



6. Pump relay control contact
3. Backwash position
1. Valve closed (no flow through inlet port)
7. Recirculation (bypass of filter)
5. Drain (to drain pool)
2. Filter (filter water)
4. Rinse position
8. L1, power supply (furnished by others)
9. PLC signals or relays (furnished by others)
10. Magnetic coil of pump motor starter (furnished by others)

Wiring schematics:

Terminal strip on circuit board:

Note: Only one of six position circuits (3, 1, 7, 5, 2 and 4) can be closed at a time.

POWER SUPPLY	24 VAC, (25 VA - 1.5" AND 2", 50 VA - 3")
Flow rates	1.5" (70 GPM), 2" (120 GPM), 3" (280 U.S. GPM max.)
Max. Valve operating pressure	50 psi