

# Plastic Knife Gate Valves

**40**  **YEARS**  
OF EVOLUTION

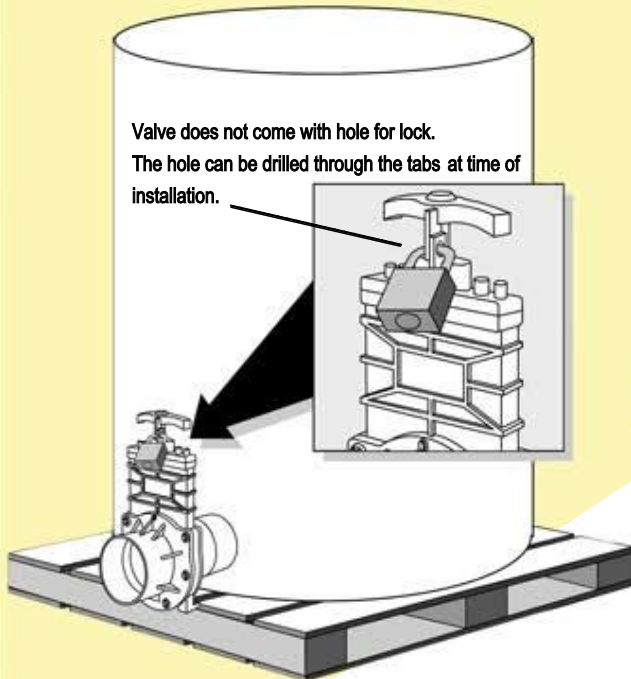
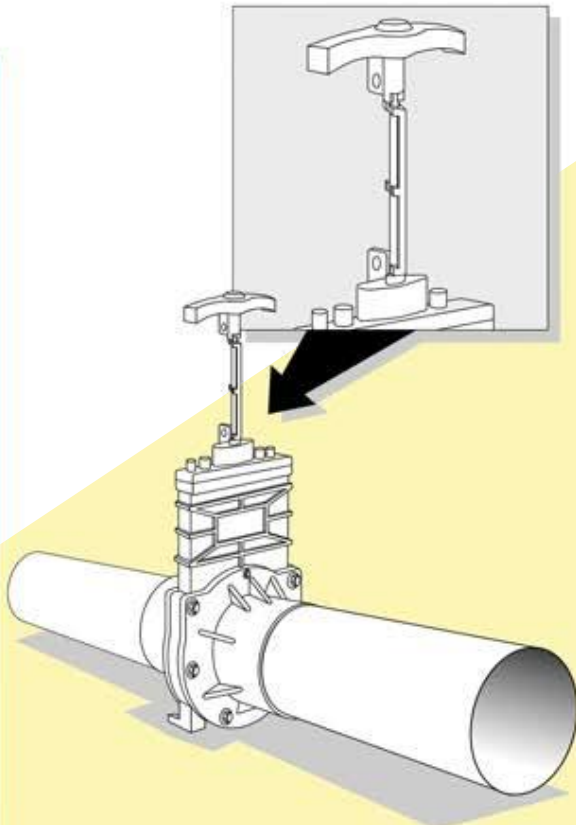


705 725 1100

[praherplastics.ca](http://praherplastics.ca)

Praher Plastics Canada Ltd. 101 Saunders Rd. Barrie ON L4N 9A7

# Plastic Knife Gate Valves



## APPLICATIONS

### 1" THROUGH 4" GATE VALVES

Inexpensive valves for industrial, agricultural and commercial markets. Ideal for quick shut-off in low pressure or vacuum lines. Other applications listed below.

- Pool and Spa
- Plumbing
- Waste Water Control
- Septic Systems
- IBC Products
- Irrigation
- Aquaculture
- Tank Drain Valves
- Carpet/Extraction Equipment

## MATERIALS

- PVC Construction (ABS Available)
- TPE (thermoplastic elastomers) lip-tytpe seals
- EPDM-O-Rings
- Stainless Steel (303/A4) shaft and hardware
- Glass reinforced polypropylene handle (3" & 4")

## FEATURES

- Double O-Ring shaft seals (3" & 4" only) fully serviceable
- Moulded mounting pads on valve body (3" & 4")
- Moulded tabs on handle and body for insulating mechanical locks in "closed" position (3" & 4" only)
- Internal snap locks for gate locking in "open" position (2" & 4")
- Available with pneumatic actuators (3" & 4")
- Full flow design with unrestricted flow
- 1/4" x 20 thread on shaft for easy shaft extension (3" & 4")
- Lightweight
- Available with metric or imperial socket end connectors
- Quick opening/closing
- Simple & trouble-free operation
- Maximum operating pressure: 50 psi @ 70°F, 3.5 bar @ 20°C

## GATEKEEPER - "SAFETY -CLIP"

- Prevents unintentional closing
- A rapid safety plastic snap-on device locking valve open
- Optional on 1" - 2" models
- Standard on 3" - 4" models

