

# 3" PVC 3 PORT "HIGH CAPACITY" ROTARY DIVERTER VALVE (BIG KAHUNA PERMASEAL SERIES)

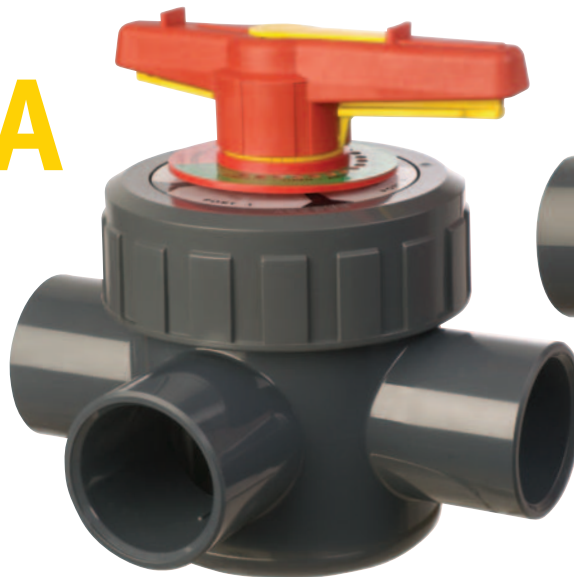


## SPECIFICATIONS

Size:	2.5" socket - 3" spigot		
Material:	Body, cover, nut, NSF approved PVC - grey		
Rotor:	NSF approved glass reinforced Polyphenylene oxide		
o-rings:	NSF approved EPDM		
Rotor seal:	NSF approved low friction ethylene elastomere		
Rotor load bearings:	NSF approved low friction polyoxymethylene		
Pressure rating:	50 psi with full seal back pressure rating		
Vacuum rating:	29 inch mercury	Burst pressure:	500 psi
Flow rating:	400 GPM @ 4.4 psi head loss		

**SUPERSIZE IT  
WITH THE  
BIG  
KAHUNA**

**400 GPM  
4.4 PSI ΔHL**

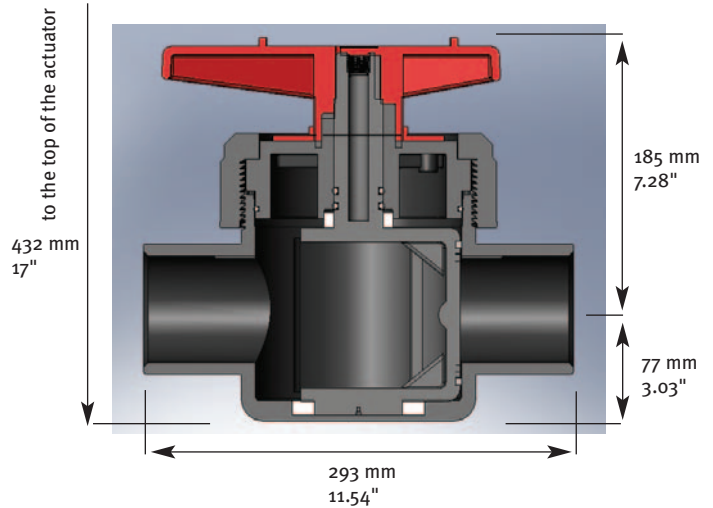


## FEATURES:

- ▶ Easy read valve position indicator
- ▶ Low friction elastomeric seal with full vacuum rating
- ▶ High strength diverter with precision machined load bearings
- ▶ Easy valve servicing with spin off union nut - no special tools required
- ▶ Double shaft seal o-rings
- ▶ Patented rotor seal de-energizing chamber for "off service position"
- ▶ Patented internal "ANTI SEAL PINCH" design
- ▶ Electric Actuator package 24VAC or 110VAC – (600 inch pounds torque, amps drawn for 24VAC = 2.6, 110VAC = 1.0)
- ▶ Easy actuator retrofitting
- ▶ Rugged Handle design
- ▶ Multiple (4) indexing positions for common port selection
- ▶ Made in North America (Canada)

[www.prahervalves.com](http://www.prahervalves.com)

# 3" PVC 3 PORT "HIGH CAPACITY" ROTARY DIVERTER VALVE (BIG KAHUNA PERMASEAL SERIES)



### FLOW/HEAD LOSS DATA - OV3-3000 in 90° flow pattern

Flow rate USGPM	Head loss in FT	Head loss in PSI
150	1.4	0.6
200	2.5	1.1
250	4	1.73
300	5.75	2.49
350	7.8	3.4
400	10	4.4

Description	Part #
Manual valve	OV3-3000
Actuated valve includes actuator 24VAC	OV3-3024
Actuated valve includes actuator 110VAC	OV3-30110
Actuator only with mounting hardware	LCR-600-110 (110VAC)
Actuator only with mounting hardware	LCR-600-24 (24VAC)

### POSSIBLE FLOW VARIATIONS FOR 3-WAY VALVES

Valve may be installed on suction or discharge side of system.  
Flow arrows, for simplicity, represent valve as installed on discharge side of pump.

