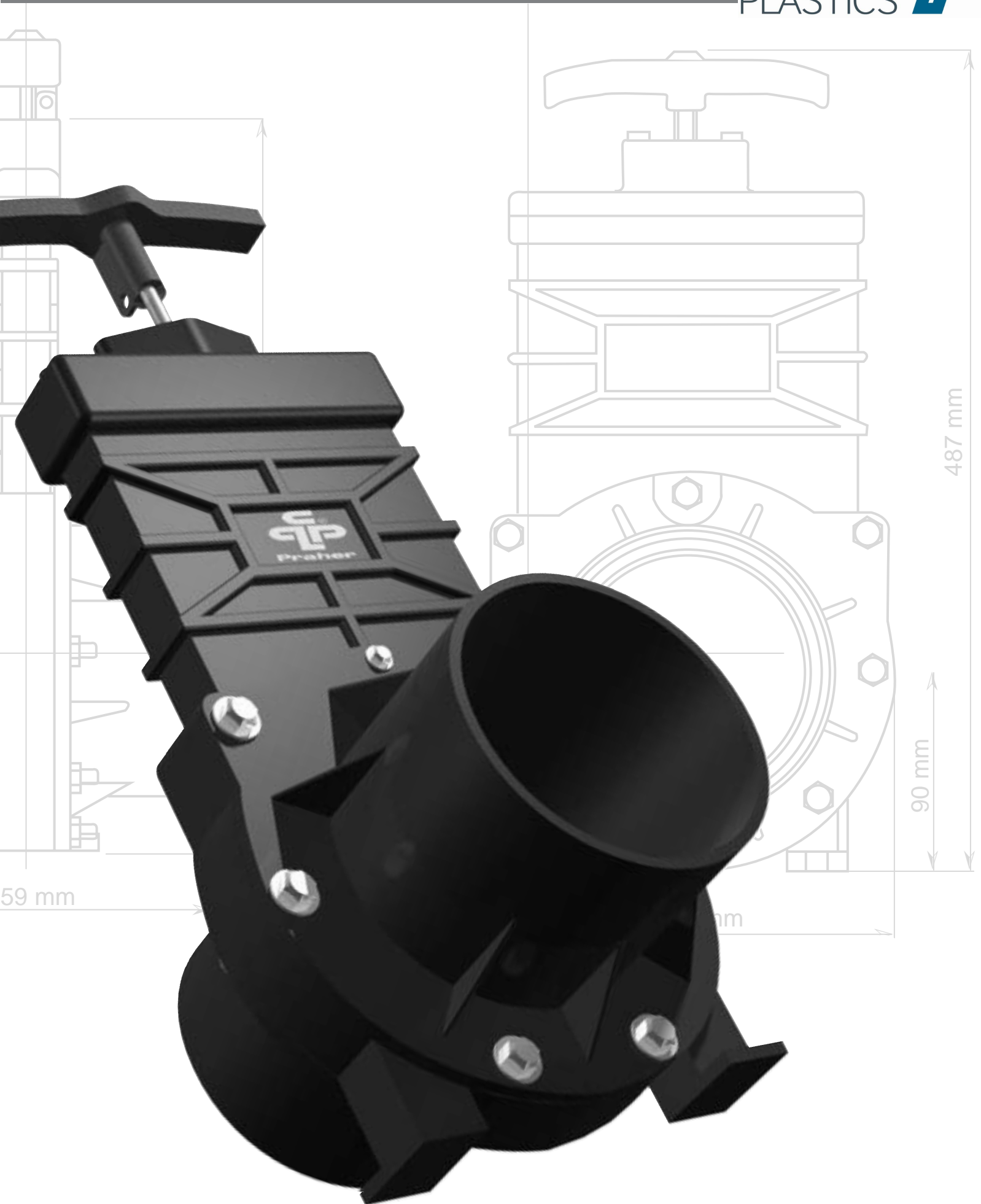
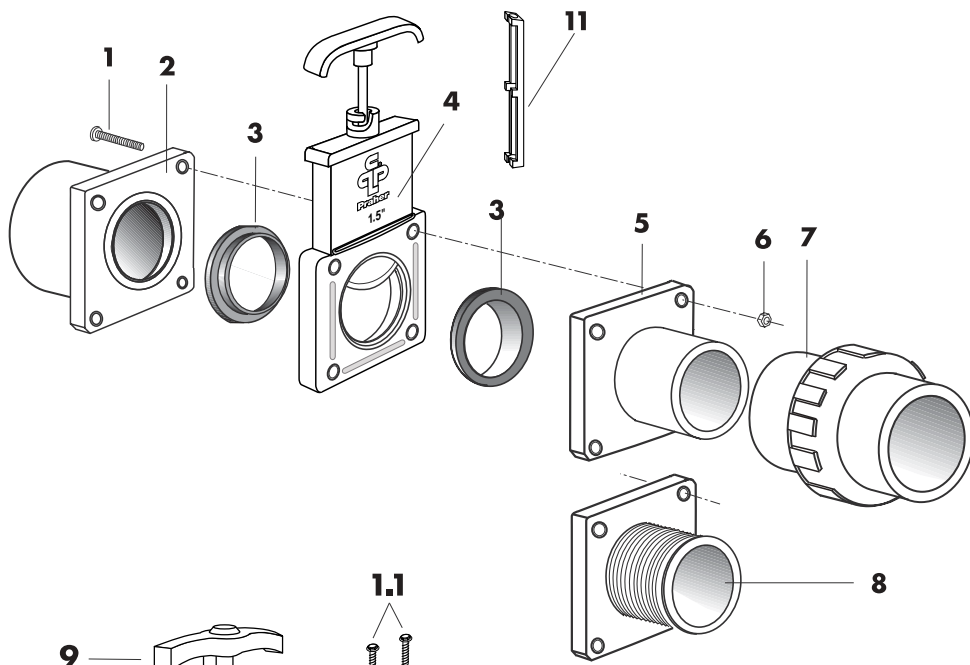


# Plastic Knife Gate Valves

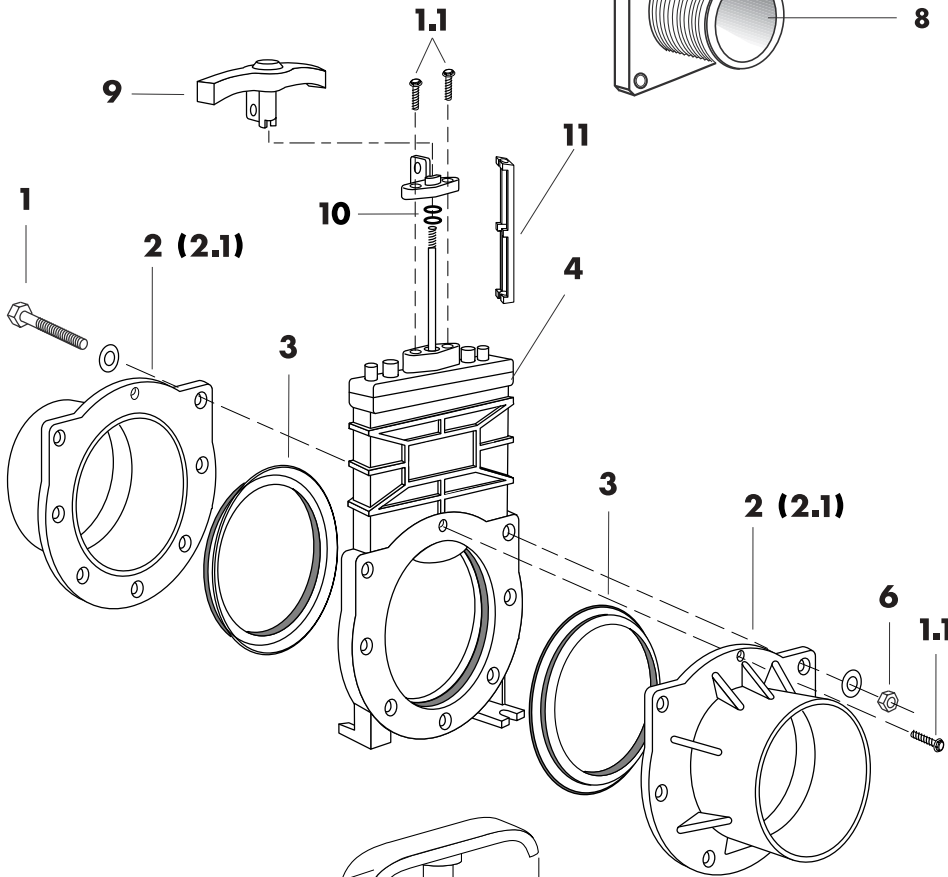
**PRAHER**  
PLASTICS





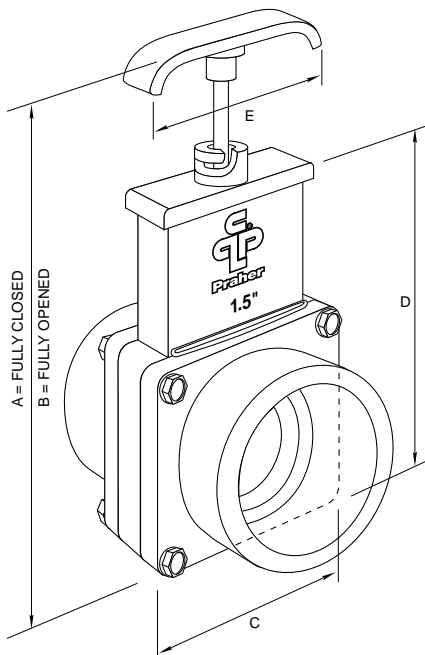
## 1" - 2.5"

- 1 BOLT (set of 4)
- 2 PVC-SOCKET END
- 3 GASKET (set of 6)
- 4 BODY ASSEMBLY
- 5 SPIGOT END PVC
- 6 LOCKNUT (set of 4)
- 7 DISCONNECT UNION PVC SOCKET X SOCKET
- 8 MPT-END PVC
- 9 GATEKEEPER SAFETY-CLIP (optional)



## 3" - 4"

- 1 BOLT (set of 7) 5/16" x 2
- 1.1 SELF-TAPPING SCREW
- 2 PVC-SOCKET END - ASTM
- 2.1 PVC-SOCKET END - METRIC
- 3 TPE GASKET
- 4 BODY ASSEMBLY WITH HANDLE
- 6 5/16" SS HEXNUT
- 9 HANDLE ONLY
- 10 SHAFT O-RINGS
- 11 GATEKEEPER SAFETY-CLIP (optional)



	1.0" & 1.5"		2.0"		2.5"		3.0" & 4.0"	
	Inches	mm.	Inches	mm.	Inches	mm.	Inches	mm.
<b>A</b>	5.76	146.5	6.63	168.5	8.3	211.5	15.35	390.0
<b>B</b>	7.36	187.0	8.86	225.0	11.1	284	19.57	497.0
<b>C</b>	2.87	73.0	3.35	85.0	4.1	104	7.09	180.0
<b>D</b>	4.96	126.0	5.78	147.0	7.1	181	11.81	300.0
<b>E</b>	2.76	70.0	2.76	70.0	3.7	94.3	4.72	120.0