

# PIPE CLAMPS-PP

## GENERAL:

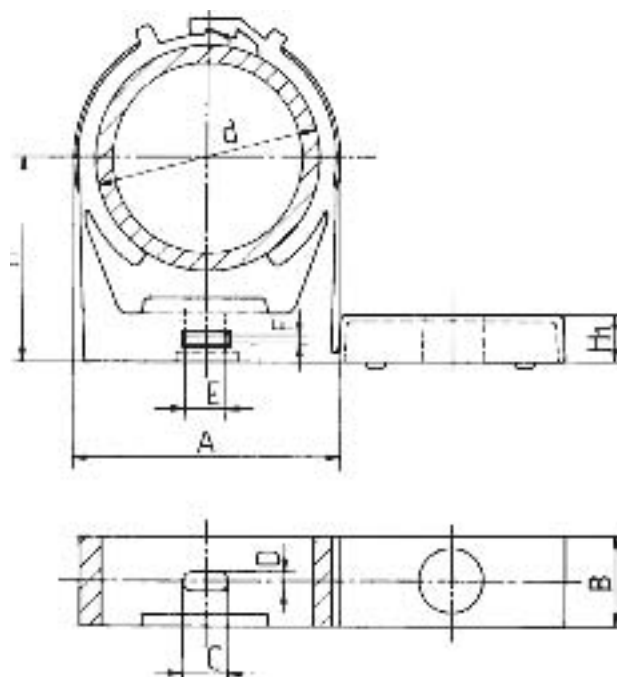
- Body materials: PP - Polypropylene (High impact copolymer), grey only
- UV inhibitor added

## PIPE HANGER SPACING:

The recommended pipe hanger spacing relates to the maximum pipe sag of 2.5mm (0.098") between two pipe hangers and a liquid with a density of  $\leq 1 \text{ g/cm}^3$ .

## FEATURES:

- Self-locking
- Fits metric and imperial plastic pipe
- Corrosion resistant



## PIPE HANGER SPACING FOR HORIZONTAL PIPING:

PVC-Pipes SCH40/SCH80

pipe size	d	20°C	30°C	40°C	50°C	60°C
inch	mm					
3/8"	16	80	70	50	Continuous support	
1/2"	20	90	80	60		
3/4"	25	95	85	65	55	40
1"	32	105	90	70	60	45
1 1/4"	40	120	110	90	70	55
1 1/2"	50	140	130	110	85	65
2"	63	150	140	120	95	70
2 1/2"	75	165	155	135	110	80
3"	90	180	170	150	125	95

Dimensions in mm

## PIPE HANGER DIMENSIONS:

d	mm	16-19	20-23	25-28	31-35	39-43	47-51	60-65	72-80	87-95
	inches	3/8"	1/2"	3/4"	1"	1 1/4"	1 1/2"	2"	2 1/2"	3"
H	mm	25	27	30	30	37	40	50	70	80
H <sub>1</sub>	mm	8	8	8	8	8	10	10	18	18
A	mm	25	29	34	39	50	56	70	85	100
B	mm	14	14	16	16	18	20	24	26	26
C	mm	8	8	8	8	8	8	8	9	9
D	mm	4.3	4.3	4.3	4.3	4.3	4.3	4.3	6.5	6.5
E	mm	11	11	11	11	11	11	11	11	11
F	mm	3.5	3.5	3.5	3.5	3.5	3.5	3.5	3.5	3.5
weight	kg	0.005	0.006	0.008	0.010	0.015	0.022	0.032	0.062	0.075

Subject to technical modification.