



# DOUBLE UNION CLEAR CHECK VALVES

**SPECIFICATIONS:**

Sizes: 1.5" & 2"  
 Body Material: Transparent PVC  
 O-Rings and Check Seal: EPDM or Viton  
 Spring Material: 302 SS or Hastelloy-C

**Max Operating Pressure:**

1.5": 150 PSI @ 73 F  
 2": 150 PSI @ 73 F

**Valve Ends:**

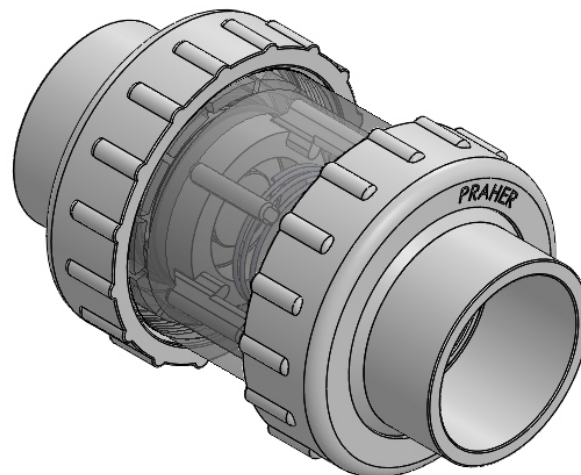
-Solvent Cement Socket (ASTM)

**Spring Loads:**

1/4 lb, 1/2 lb, 2 lb, 5lb, 10lb

**Features:**

- corrosion resistant (CR models)
- radial installation or removal
- low pressure loss
- suitable for high flow rates
- quick and exact closing and opening
- suitable for liquids with very low specific gravity



**Sample Specification:**

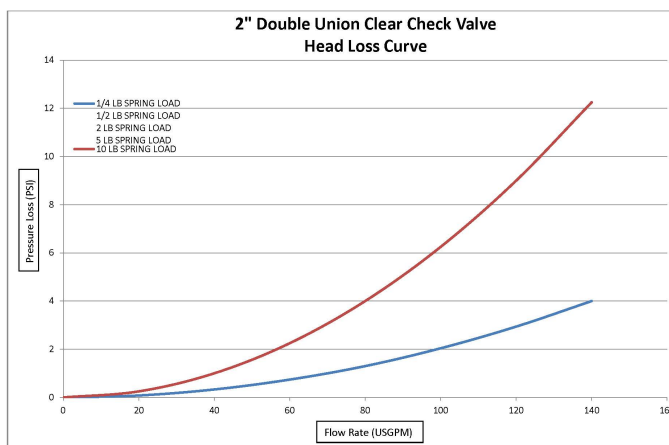
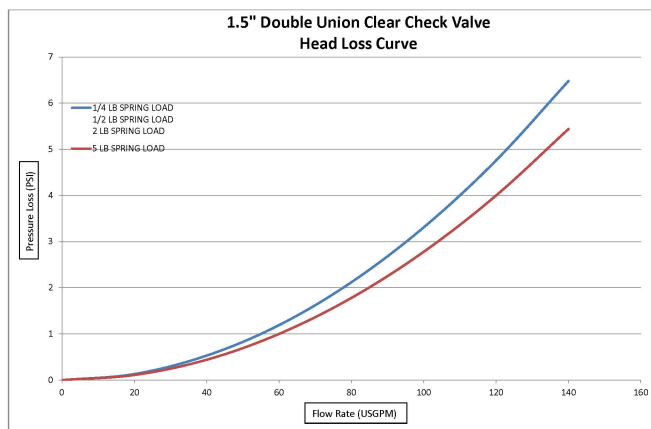
The Praher Double Union Clear Check Valves shall be of true union design, sizes 1.5" & 2". The internal spring loaded check design shall guarantee leak tight seating in extreme low pressure and vertical installations. Spring material shall be 302 stainless steel or Hastelloy-C. All O-rings and check seals shall be EPDM or VITON and shall meet NSF61 criteria. Union ends shall be interchangeable with Single Union ball valves. PVC shall be NSF61 listed and meet ASTM D1764-cell class 12454.

**1.5" Valve Flow Details**

Spring Load	Cv Value
1/4 lb	55 GPM
1/2 lb	55 GPM
2 lb	55 GPM
5 lb	60 GPM
10 lb	10 GPM

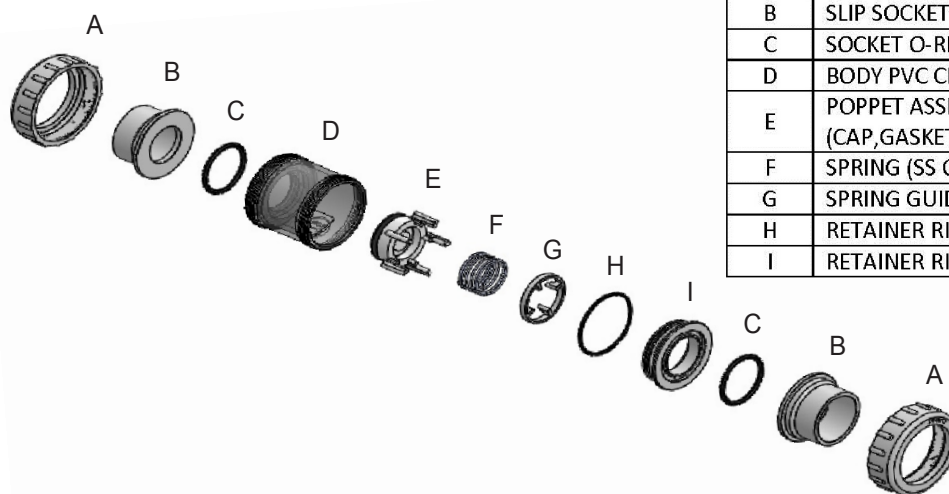
**2" Valve Flow Details**

Spring Load	Cv Value
1/4 lb	70 GPM
1/2 lb	70 GPM
2 lb	70 GPM
5 lb	70 GPM
10 lb	40 GPM

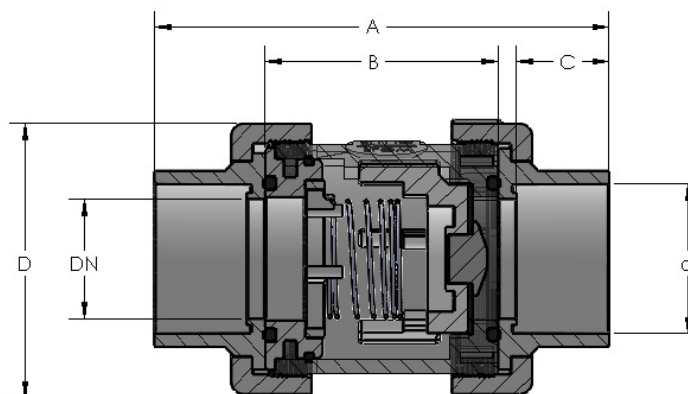




# DOUBLE UNION CLEAR CHECK VALVES



ITEM	DESCRIPTION
A	NUT PVC WHITE
B	SLIP SOCKET PVC WHITE
C	SOCKET O-RING (EPDM OR VITON)
D	BODY PVC CLEAR
E	POPPET ASSEMBLY PVC WHITE (CAP,GASKET,POPPET BODY)
F	SPRING (SS OR HASTELLOY-C)
G	SPRING GUIDE PVC WHITE
H	RETAINER RING O-RING (EPDM OR VITON)
I	RETAINER RING PVC CLEAR



Size (inch)	d (mm)	DN (mm)	A	B	C	D
1.5"	50	40	156mm 6.14"	78.50mm 3.09"	32mm 1.26"	94mm 3.70"
2"	63	50	185mm 7.28"	95mm 3.74"	37.5mm 1.47"	113mm 4.45"